

mixx²TM



AVAQ[®]

Designed
around your life

nuna®

IMPORTANT!
KEEP THESE INSTRUCTIONS
FOR FUTURE REFERENCE:
READ CAREFULLY

Contents

Product Information	
Product Registration	4
Warranty	4
Contact	4
Child Usage Requirements	4
Warnings	5
Parts List	8
Product Set Up	10
Product Use	16
Accessories	26
MIXX2 stroller rain cover	26
Car Seat Post Adapters	26
Cleaning and Maintenance	28

Product Information

Model Number: _____

Manufactured in (date): _____

Product Registration

Please fill in the above information. The model number and the manufactured in date are located on a label on the bottom of the stroller frame. Fill out the prepaid registration postcard attached to the product and mail it today.

To register your product please visit:
www.nuna.eu/register-gear

Warranty

We have purposely designed our high-quality products so that they can grow with both your child and your family. Because we stand by our product, our gear is covered by a custom warranty per product, starting from the day it was purchased. Please have the proof of purchase, model number and manufactured in date available when you contact us.

For warranty information please visit:
www.nuna.eu/warranty

Contact

For replacement parts, service, or additional warranty questions, please contact our customer service department.

In the USA: infousa@nuna.eu | www.nuna.eu | 1.855.NUNA.USA

Child Usage Requirements

This stroller is suitable for use with children who meet the following requirements:

Weight: up to 50 lbs (22.7 kg) maximum

Height: 45 in. (114.3 cm)

⚠️WARNING

Failure to follow these warnings and instructions could result in serious injury or death.

A child's safety is your responsibility. **NEVER** leave your child unattended.

To avoid any danger of suffocation, remove all plastic covers before using the stroller and destroy or keep away from babies and children!

Keep small parts away from children as they pose a choking hazard.

Discontinue using this stroller if it becomes damaged or broken.

Use original Nuna parts and accessories only.

Use of this stroller with a child weighing more than 50 lbs (22.7 kg) or 45 in. (114.3 cm) in height will cause excessive wear, and stress on the stroller, and could create an unstable condition. Use the stroller with only one child at a time.

To prevent a hazardous, unstable condition, do not place more than 10 lbs (4.5 kg) in the storage basket before use or more than 1 lb (.45 kg) in the storage pocket on the back of the seat.

Negotiate curbs and rough ground carefully. Repeated impact could cause damage to this stroller.

This stroller is to be used only at walking speed and is not intended for use while jogging, skating, etc.

The parking brake **MUST** be engaged when the stroller is stopped and when placing and removing child.

Overloading, incorrect folding, and using accessories other than those approved by Nuna, e.g. child seats, bag hooks, rain covers, buggy boards, etc., may damage or make this stroller unsafe.

Adding accessories such as purses, shopping bags, or parcels to the handle or canopy can cause the stroller to be unstable.

This stroller does not replace a crib or a bed. Should your child need to sleep, they should be placed in a crib or approved sleeping area based on your child's requirements.

Avoid serious injury from falling or sliding out. Always use seat belt. After fastening buckles, adjust belts to get a snug fit around your child.

Child may slip into leg openings and strangle. **NEVER** use in reclined carriage position unless the calf support is raised to cover the front opening.

Avoid finger entrapment Use care when folding and unfolding the stroller. Be certain the stroller is fully erected and latched before allowing your child near the stroller.

Strangulation Hazard Do not place items with a string around your child's neck, suspend strings from the stroller, or attach strings to toys.

ALWAYS keep your child in view while in this stroller.

ALWAYS allow the fabric to dry naturally away from direct heat.

ALWAYS check that the attachments are correctly engaged.

DO NOT let your child play with this stroller.

DO NOT place any item on the canopy of this stroller.

DO NOT leave this stroller exposed in the vicinity of a strong source of heat i.e. a radiator or open fire or store this stroller in a damp place.

DO NOT make any changes or modifications to this stroller, that are not specified in this manual.

DO NOT use storage basket as a child carrier.

DO NOT use stroller seat as a booster seat.

DO NOT use stroller seat in a motor vehicle.

DO NOT carry stroller seat with child in it.

NEVER place the child with their head at the foot end of the stroller seat.

NEVER use the stroller on stairs or escalators. You may suddenly lose control of the stroller or your child may fall out.

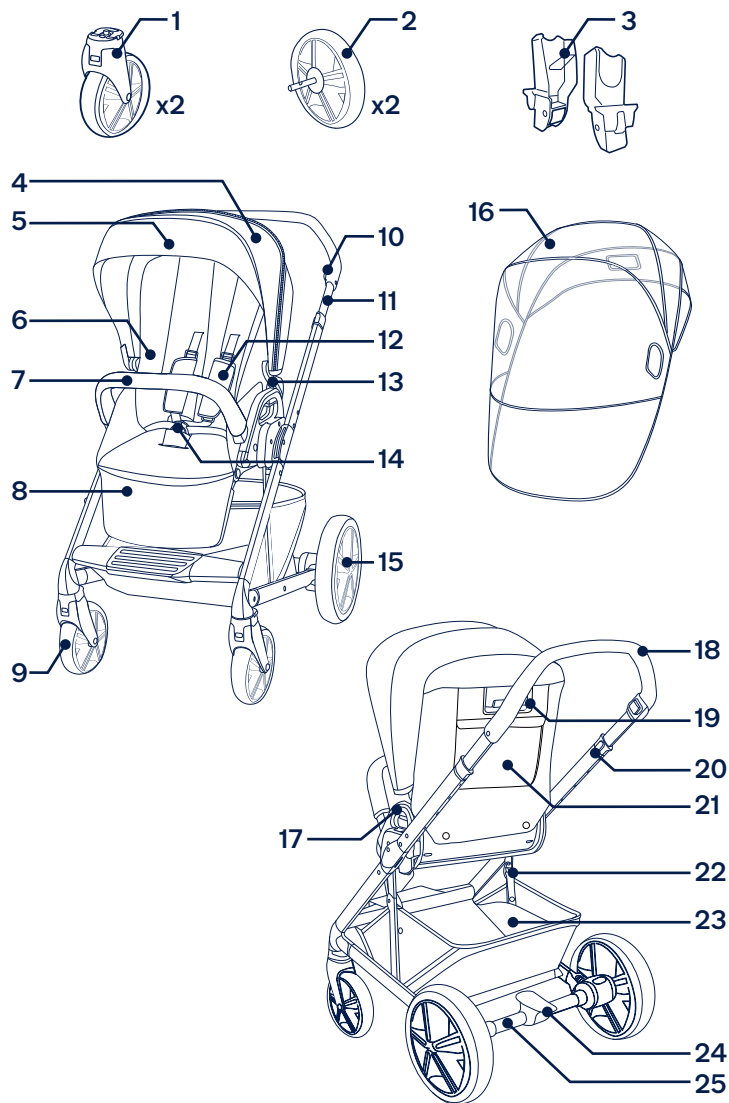
NEVER allow your child to stand on the footrest.

Parts List

Make sure all parts are available before assembly.
If any part is missing, please contact Nuna (see page 4 for information). No tools are required for assembly.

⚠ CHOKING HAZARD: Remove and immediately discard protective end caps from each wheel and wheel hub axle.

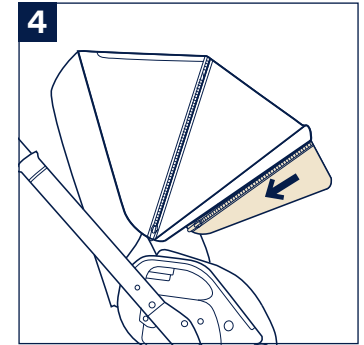
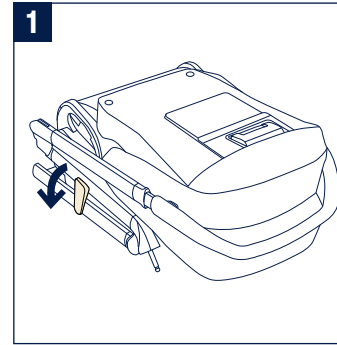
- | | |
|-------------------------------|------------------------------|
| 1 Front Wheel (x2) | 13 Canopy Clips |
| 2 Rear Wheel (x2) | 14 Buckle and Crotch Cover |
| 3 Car Seat Post Adapters (x2) | 15 Rear Wheel |
| 4 Canopy | 16 Rain Cover |
| 5 Canopy Visor | 17 Seat Release Button |
| 6 Seat Pad | 18 Stroller Handle |
| 7 Arm Bar | 19 Recline Adjustment Button |
| 8 Calf Support | 20 Folding Button |
| 9 Front Wheel | 21 Storage Pocket |
| 10 Handle Adjustment Button | 22 Storage Latch |
| 11 Stroller Frame | 23 Storage Basket |
| 12 Shoulder Harness Pads | 24 Brake Lever |
| | 25 Brake Assembly |



Product Set Up

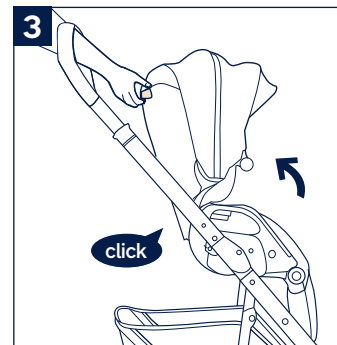
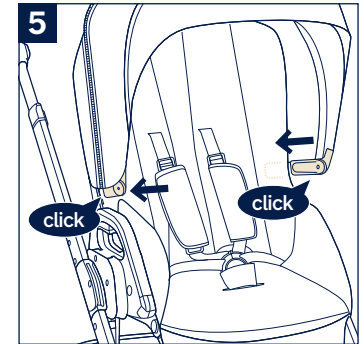
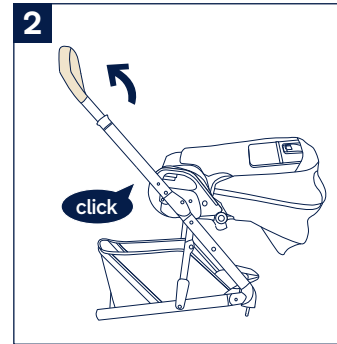
Open Stroller

- 1 - Open the storage latch as shown.
- 2 - Rotate the handle to the rear of the stroller. A “click” sound means the stroller frame is open completely.
- 3 - Squeeze the recline adjustment button on the back of the seat and rotate the backrest to the upright position.
Check that the stroller is open completely before continuing.



Canopy

- 4 - Line up the canopy visor zipper with the zipper on the inside of the front edge of the canopy. Completely zip the canopy visor onto the front of canopy.
- 5 - Insert the canopy clips into the canopy mounts on the sides of the stroller. A “click” sound means the canopy is assembled completely.



Front Wheels

1 - Insert the front wheel into the front leg. A “click” sound means the wheel is assembled completely.

Check the wheel is securely attached by pulling out.

Repeat on opposite side.

2 - To remove the front wheel, press the release button (1) and detach the front wheel from the front leg (2).

Brake Assembly

Make sure the brake lever is up before attaching the brake assembly to the frame.

3 - Push the brake assembly onto the rear leg tubes. A “click” sound means the break assembly is attached.

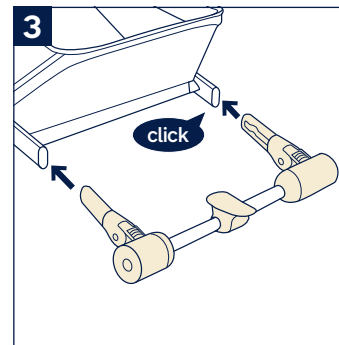
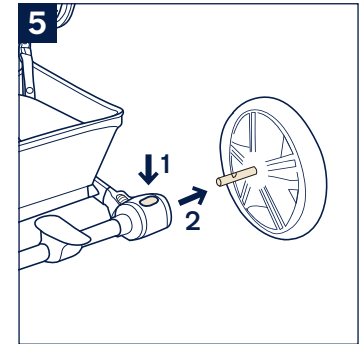
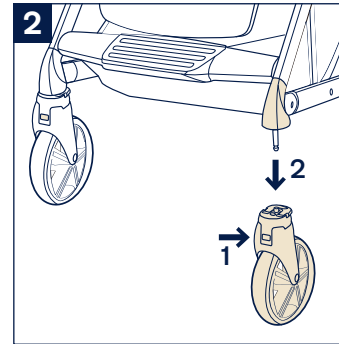
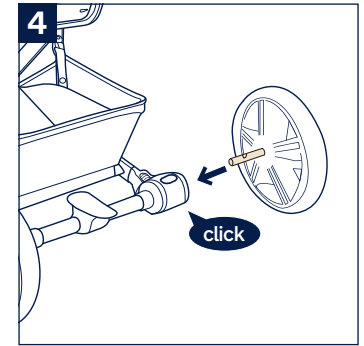
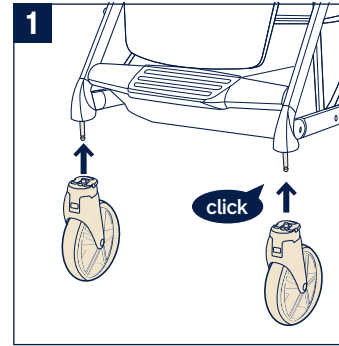
Check that brake assembly is securely attached by pulling on it.

Rear Wheels

4 - Insert the rear wheel into the rear leg. A “click” sound means the rear wheel is assembled completely. Repeat on opposite side.

Check that the wheels are securely attached by pulling on them.

5 - To remove the rear wheel, press the release button (1) and detach the rear wheel from the rear leg (2).



Storage Basket

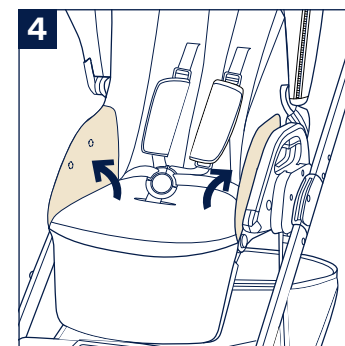
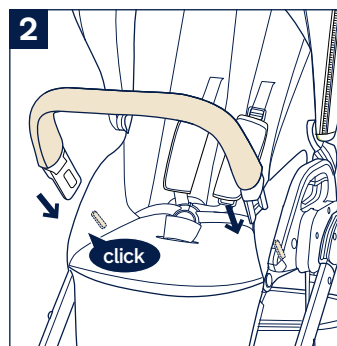
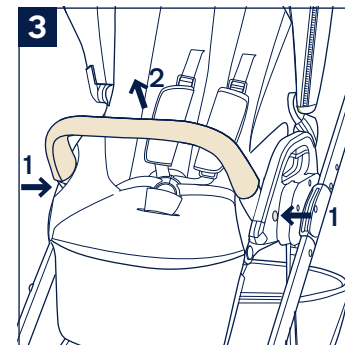
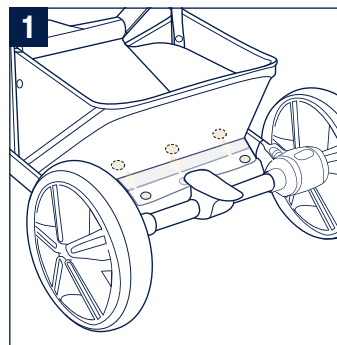
- 1 - Wrap the basket flap around the rear frame and fasten the 3 snaps.

Arm Bar

- ⚠** Always secure the child with the harness. The arm bar is not a restraint device.
- 2 - Align the arm bar ends with the arm bar mounts, and insert until it clicks into place. A “click” sound means the arm bar is assembled completely.
 - 3 - To remove the arm bar, press the arm bar release buttons (1) located under the seat pad, and lift the arm bar up. (2)
 - 4 - Fasten the inner snaps of the seat pad to the inside of the seating area as shown.

Check Set Up

- Stroller frame is latched open
- Rear and front wheels securely attached
- Canopy mount attached to stroller frame and canopy zipped to seat pad
- Basket is securely attached
- Arm bar is securely attached



Product Use

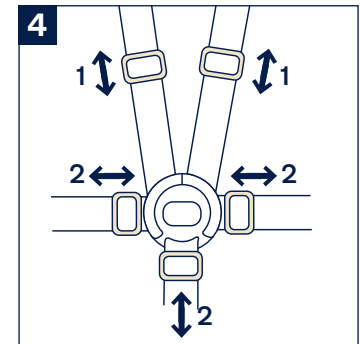
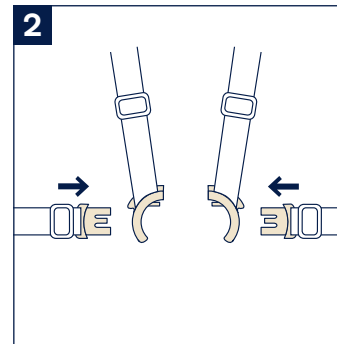
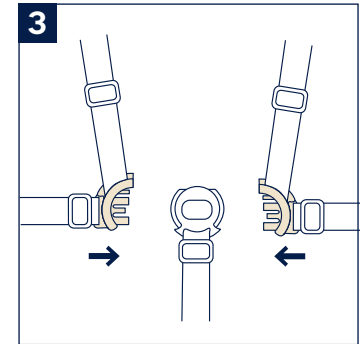
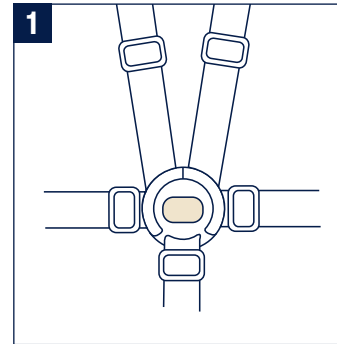
⚠ The parking brake **MUST** be engaged when the stroller is stopped and when placing and removing child.

Securing Your Child

- 1 - Push the center button on the buckle to release the buckle latch, remove the clips and place your child in the stroller.
- 2 - Connect the shoulder buckle and hip buckle.
- 3 - Secure the shoulder buckle and hip buckle to the buckle latch and repeat on the opposite side.
- 4 - Fit the harness snugly to your child by sliding the lower adjustment buckles (located under the harness covers) up (1). Then pull the waist adjustment straps out (2).

⚠ Avoid serious injury from falling or sliding out. Always use the seat belt.

Make sure the harness is adjusted properly and your child is snugly secured. The space between the child and the shoulder harness should be about the thickness of one finger. **DO NOT** cross the shoulder belts. This will cause pressure on your child's neck.



Shoulder Harness Position

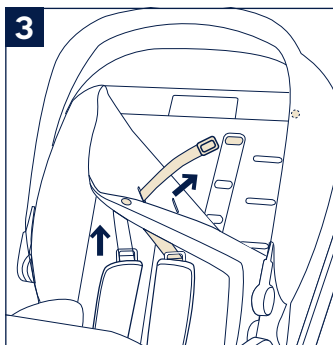
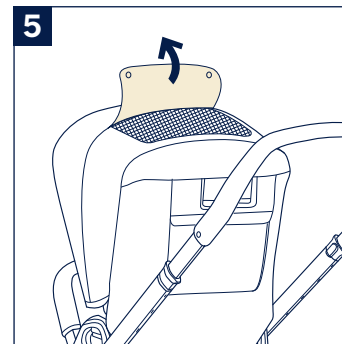
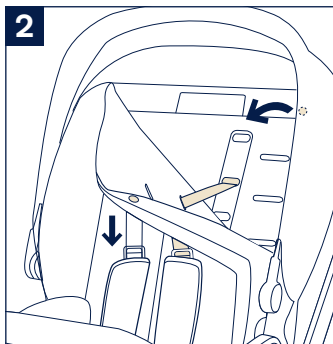
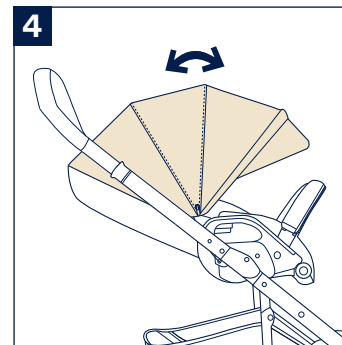
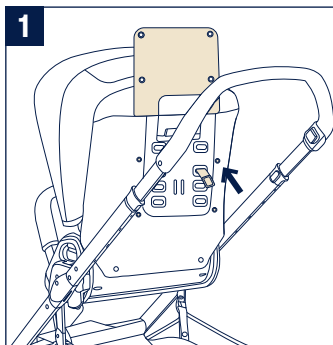
- 1 - To adjust the position of the shoulder harness, unfasten the snaps located behind the storage pocket and lift up the flap. Turn the harness end to fit through the harness slot. Push through to front of the seat.
- 2 - From the front of seat, unfasten the snap at the top of the seat pad and pull the harness strap through the seat pad.
- 3 - Re-insert the harness strap through the desired harness slot in the seat pad and seat back. Repeat with the other strap.

Check that you have inserted the harness straps through the same set of harness slots for each harness strap.

Close the flap and refasten the 4 snaps to the back of the seat.

Canopy

- 4 - To open the canopy, pull the canopy toward the front of the seat. To close the canopy, push it back.
- 5 - For added ventilation, flip the canopy window cover up. The canopy is NOT recommended to be removed.



Front Swivel Locks

It is recommended to use the front swivel locks on uneven surfaces.

- 1 - Squeeze (1) and pull the front swivel lock out (2) to lock the front wheel forward facing. You may need to move the wheel to get it to lock.
- 2 - Push the front swivel lock in to unlock.

Brake

- 3 - To lock the rear wheels, step down on the red area on the brake lever.
 - 4 - To unlock the rear wheels, step down on the green area on the brake lever.
- ⚠ Always apply the brake when the stroller is stopped. Push the stroller slightly to ensure the brake is engaged.

Handle

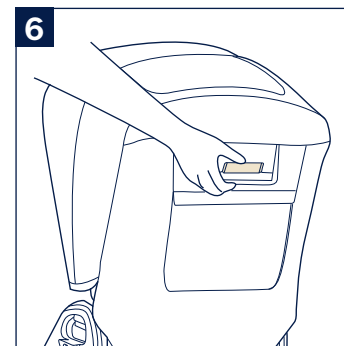
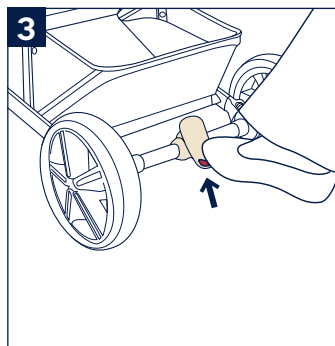
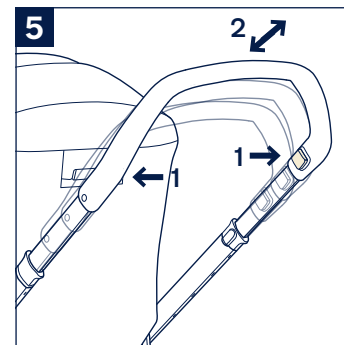
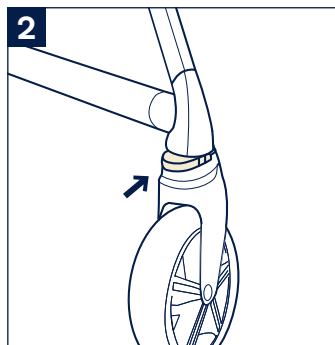
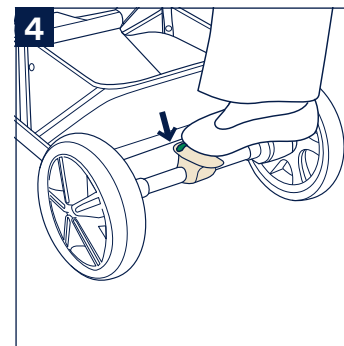
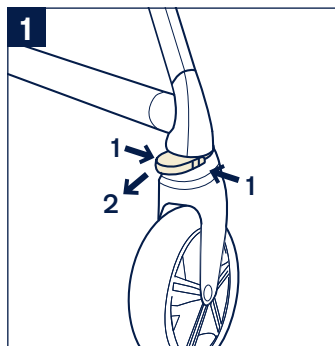
The handle has 3 positions.

- 5 - To adjust the height of the handle, press the handle adjustment buttons (1) and pull the handle up or down (2).

Recline Adjustment

There are 5 recline positions for the backrest.

- 6 - To raise or lower the backrest, squeeze the recline adjustment button, and pull the seat up or down.



Calf Support

The calf support has 3 use positions.

- 1 - To raise the calf support, lift up.
- 2 - To lower the calf support, press the adjustment buttons on the sides (1), and push down (2).

Full Recline

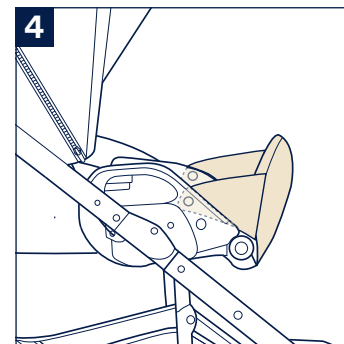
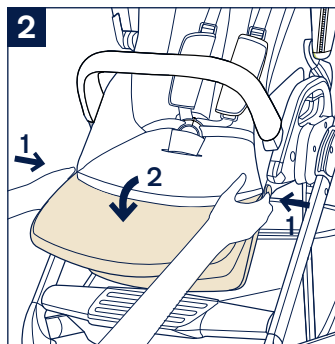
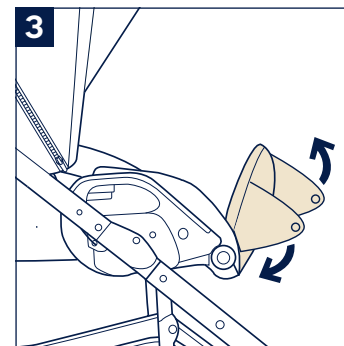
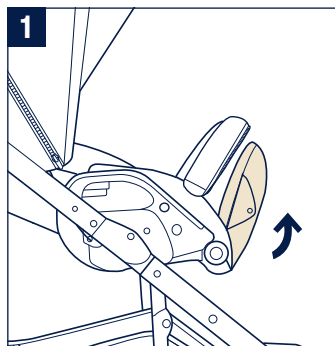
Remove the arm bar before using the full recline.

- 3 - Fully recline seat, rotate footrest to upright position and unfasten the flaps underneath the calf support.
- 4 - Fasten the flaps to the snaps on the inside of the seating area on both sides of the seat.

⚠ Child may slip into leg openings and strangle.

NEVER use in reclined carriage position unless the calf support is raised to cover the front opening.

DO NOT use enclosure with an older child that can push up on hands and knees or crawl out.



Reverse Seat

The seat can be used rear or forward facing.

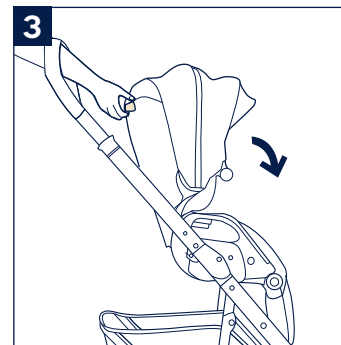
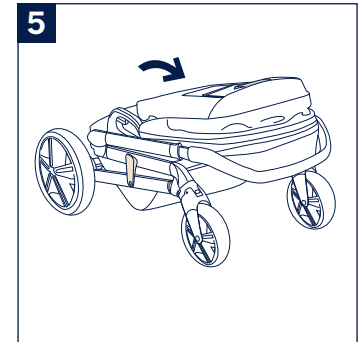
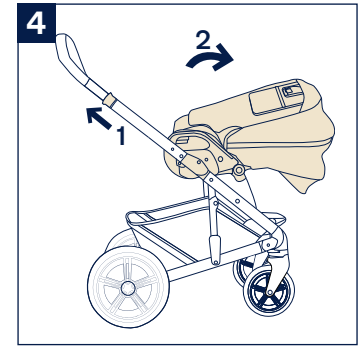
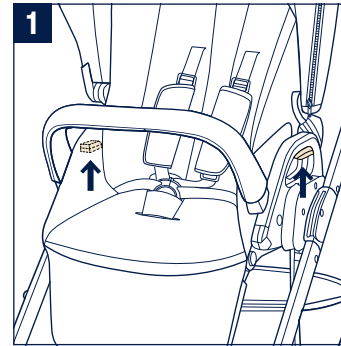
- 1 - Squeeze the seat release buttons and lift the seat up.
- 2 - Turn the seat in the opposite direction and place on the seat mounts until it clicks into place. A “click” sound means the seat is attached.

Check to make sure seat is securely attached by pulling up on it.

Fold

Before folding, push the canopy to the rear of the stroller.

- 3 - Squeeze the recline adjustment button on the back of the seat and rotate the backrest to the stored position.
- 4 - Pull up on the folding buttons (1) and push the stroller forward to fold (2).
- 5 - The storage latch will engage automatically when the stroller is completely folded.



Accessories

Infant Car Seat Post Adapters

For infant carrier assembly and usage, please refer to the infant carrier instruction manual.

- 1 - To attach the car seat post adapters, place the car seat post adapters on the seat mounts. A “click” sound means the car seat post adapters are attached.
- 2 - To attach the infant carrier, place the infant carrier on the car seat post adapters. A “click” sound means the infant carrier is attached.
- 3 - To remove the infant carrier, push the stroller release buttons on the infant carrier (1) and lift up (2).
- 4 - To remove the car seat post adapters, pull the adapter release buttons (1) and lift up (2).

- ⚠ Remove the infant carrier before folding.
Only use Nuna infant car seat post adapters with this product.

Stroller Rain Cover

Check that the canopy is completely open before attaching the rain cover.

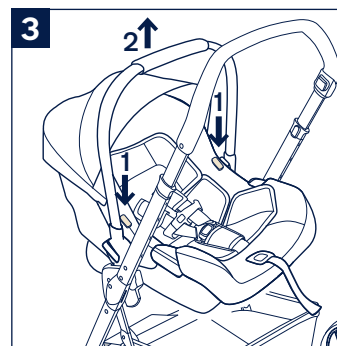
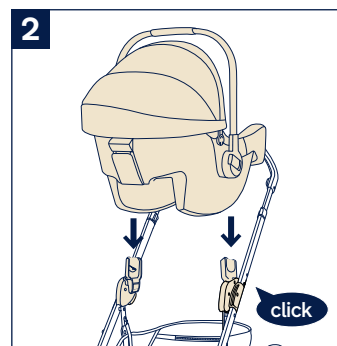
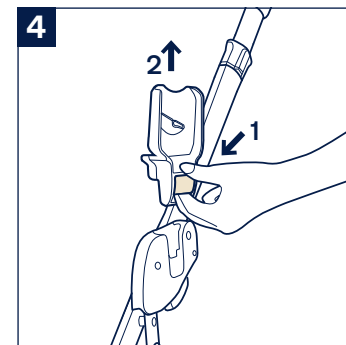
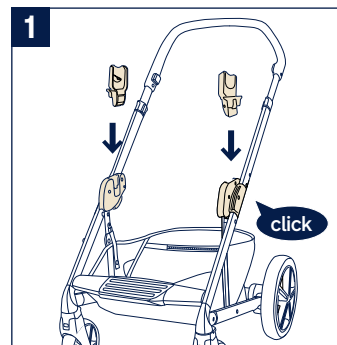
- 5 - To assemble the rain cover, place it over the stroller.

- ⚠ **ALWAYS** check ventilation when the rain cover is on the product.

ALWAYS check that the rain cover has been cleaned and dried before folding.

DO NOT fold the stroller when the rain cover is attached.

DO NOT place your child in the stroller in hot weather with the rain cover attached.



Cleaning and Maintenance

Clean the frame, plastic parts, and fabric with a damp cloth, but do not use abrasives or bleach. Do not use silicon lubricants as they will attract dirt and grime. Do not store your stroller in a damp place.

Clean the stroller wheels regularly with water and remove any dirt.

To ensure long-lasting use, wipe off this product with a soft, absorbent cloth after using it in rainy weather.

Refer to the care label attached to the fabric for washing and drying instructions.

It is normal for fabric to color from sunlight and to show wear and tear after a long period of use, even when used normally.

For reasons of safety, only use original Nuna parts.

Check regularly if everything functions properly. If any parts are torn, broken, or missing, stop using this product.



Nuna Baby Essentials, Inc.

70 Thousand Oaks Blvd. | Morgantown, PA 19543

1.855.NUNA.USA | Nuna.eu